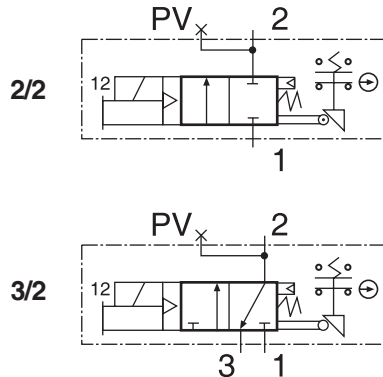


New Product Information

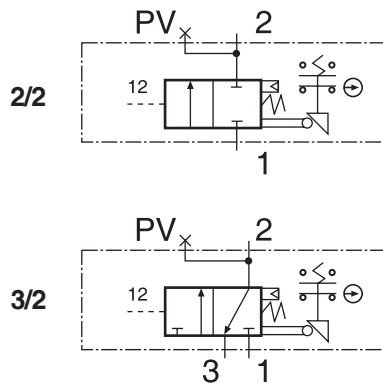
Series SV27 Sensing Valves 2/2 & 3/2 Normally Closed with Position & State Sensing Feedback for Category-2 Safety Applications

- Category-2 safety applications
- Trapped energy release
- Non-critical air dump

SOLENOID PILOT

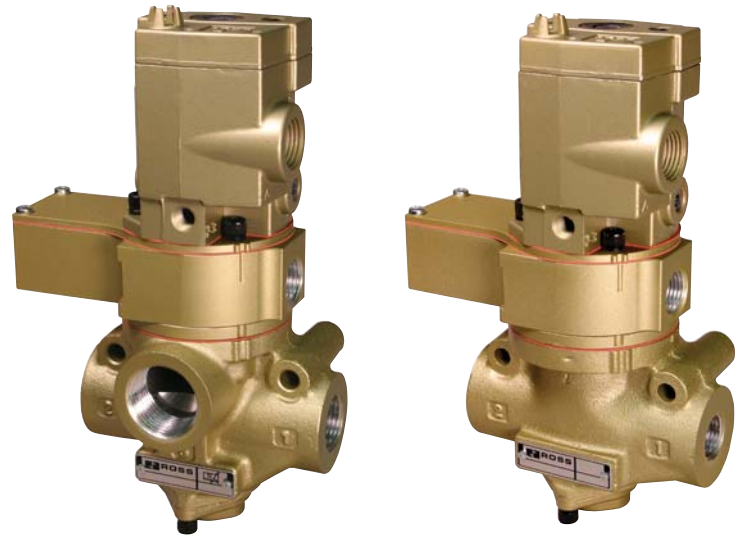


REMOTE AIR PILOT



STANDARD SPECIFICATIONS

Pilot Solenoid: Rated for continuous duty.
Standard Voltages: 100 – 110 volts 50 Hz;
 100 – 120 volts 60 Hz; 24, 110 volts d.c.
 Other voltages available.
Power Consumption: 87 VA inrush, 30 VA holding
 on 50 or 60 Hz; 14 watts on d.c.
Ambient Temperature: 40° to 120° F (4° to 50° C).
Media Temperature: 40° to 175° F (4° to 80° C).
Flow Media: Filtered air.
Inlet Pressure: 40 to 150 psig (2.8 to 10 bar).
Pilot Pressure: Equal to or greater than inlet
 pressure.
Switch Current/Voltage Max.: 2.5 A / 230 VAC.
Switch Current/Voltage Min.: 50 mA / 24 VDC.
NOTE: Electrical life of switch varies with conditions
 and voltage; rated in excess of 15 million cycles.



2/2 & 3/2 Normally Closed,
Solenoid Pilot Models

ROSS' new Series SV27 Sensing Valves, based upon the proven Series 27 valve family, combine the tough, dirt tolerant characteristics of poppet technology with sensing for actual poppet position and state. Electrical feedback is provided via a positively-driven, safety-rated DPDT (double pole, double throw) switch with both normally open (NO) and normally closed (NC) contacts. The DPDT switch is actuated whenever the valve is not in the normal home position.

Enhanced safety can be achieved by installing an optional visual pressure indicator (988H30) or pressure switch kit (608A86) into the 1/8 NPT pressure verification port (PV).

These new Sensing Valves are available in 2/2 and 3/2 normally closed functions with single solenoid pilot or remote air pilot actuation.

FEATURES:

- Rugged poppet technology
- 2/2 or 3/2 normally closed valve function
- PACER® solenoid pilot or air pilot control
- Positive break switch contacts
- Directly senses valve state
- Pressure verification port (1/8 NPT) for installation of optional visual pressure indicator or pressure switch
- Designed to enable compliance with current safety regulations



Solenoid Pilot Operated Models

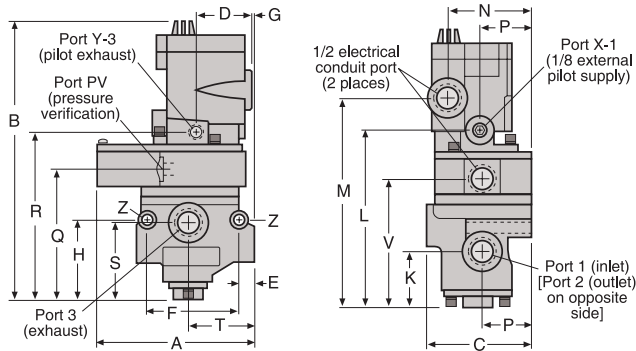
Model Numbers*	Valve Function	Port Size		C _v		Average Response Constant			Weight
		1, 2	3	1 - 2	2 - 3	M	In - Out	Out - Exh.	lbs (kg)
SV27-N-A-30-5-40-7PS-AA-1A**	3/2 Normally Closed	1/2	1	6.3	9.2	19	0.38	0.44	4.5 (2.0)
SV27-N-A-30-5-50-7PS-AA-1A**		3/4	1	7.7	11	19	0.38	0.44	4.5 (2.0)
SV27-N-A-30-5-60-7PS-AA-1A**		1	1	8.0	12	19	0.38	0.44	4.5 (2.0)
SV27-N-A-10-5-40-7PS-AA-1A**	2/2 Normally Closed	1/2	–	7.7	N/A	20	0.45	N/A	4.6 (2.1)
SV27-N-A-10-5-50-7PS-AA-1A**		3/4	–	9.0	N/A	20	0.45	N/A	4.6 (2.1)
SV27-N-A-10-5-60-7PS-AA-1A**		1	–	9.0	N/A	20	0.45	N/A	4.6 (2.1)

Remote Air Pilot Operated Models

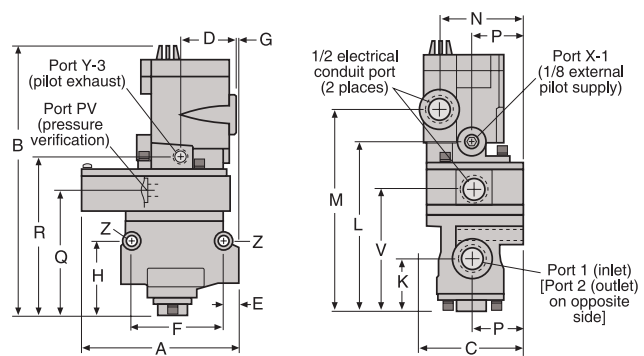
SV27-N-A-30-5-40-5AS-AA	3/2 Normally Closed	1/2	1	6.3	9.2	19	0.38	0.44	3.3 (1.5)
SV27-N-A-30-5-50-5AS-AA		3/4	1	7.7	11	19	0.38	0.44	3.3 (1.5)
SV27-N-A-30-5-60-5AS-AA		1	1	8.0	12	19	0.38	0.44	3.3 (1.5)
SV27-N-A-10-5-40-5AS-AA	2/2 Normally Closed	1/2	–	7.7	N/A	20	0.45	N/A	3.4 (1.6)
SV27-N-A-10-5-50-5AS-AA		3/4	–	9.0	N/A	20	0.45	N/A	3.4 (1.6)
SV27-N-A-10-5-60-5AS-AA		1	–	9.0	N/A	20	0.45	N/A	3.4 (1.6)

*Models listed above have NPT port threads. For G thread type, replace "N" in the model number with a "D." Models with SAE threads also available – consult ROSS. **Solenoid pilot models above have 120v/60Hz solenoids. Change "1A" in model to "2A" for 240v/60, "3A" for 24v/60, or "1D" for 24 vdc.

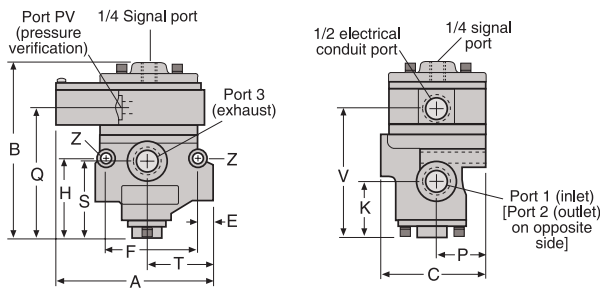
3/2 Solenoid Pilot Models



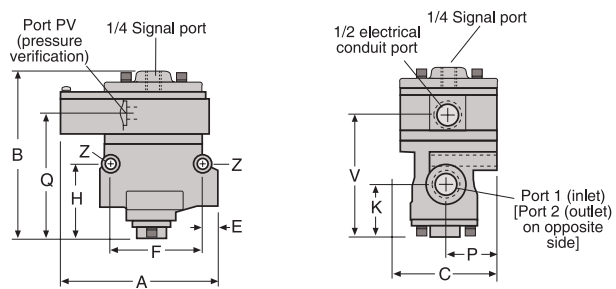
2/2 Solenoid Pilot Models



3/2 Remote Air Pilot Models



2/2 Remote Air Pilot Models



Dimensions inches (mm)

	3/2 Sol.	2/2 Sol.	3/2 Rem.	2/2 Rem.		3/2 Sol.	2/2 Sol.	3/2 Rem.	2/2 Rem.
A	5.70 (145)	5.70 (145)	5.70 (145)	5.70 (145)	M	7.52 (191)	7.20 (183)	–	–
B	9.57 (244)	9.25 (235)	6.40 (163)	6.10 (155)	N	2.45 (62)	2.45 (62)	–	–
C	3.03 (77)	3.03 (77)	3.59 (91)	3.11 (79)	P	1.53 (39)	1.53 (39)	1.53 (39)	1.53 (39)
D	1.26 (32)	1.26 (32)	–	–	Q	4.74 (120)	4.42 (112)	4.74 (120)	4.42 (112)
E	0.66 (17)	0.66 (17)	0.66 (17)	0.66 (17)	R	6.27 (159)	5.96 (151)	–	–
F	3.25 (83)	3.25 (83)	3.25 (83)	3.25 (83)	S	3.03 (77)	–	2.95 (75)	–
G	0.86 (22)	0.86 (22)	–	–	T	2.38 (60)	–	2.38 (60)	–
H	3.13 (80)	2.73 (69)	3.05 (77)	2.74 (70)	V	4.60 (117)	4.28 (109)	4.60 (117)	4.28 (109)
K	2.19 (56)	1.80 (46)	2.11 (54)	1.80 (46)	Z	0.34 (8)	0.34 (8)	0.34 (8)	0.34 (8)
L	6.53 (166)	6.20 (158)	–	–					

WARRANTY and CAUTIONS

Standard ROSS warranty and cautions apply, available upon request or at www.rosscontrols.com/pdfs/cautionswarranty.pdf.



ROSS CONTROLS®
U.S.A.
TEL 800-GET-ROSS
custsvc@rosscontrols.com

ROSS EUROPA GmbH
Germany
FAX 49-6103-74694
info@rosseuropa.com

ROSS ASIA K.K.
Japan/China
FAX 81-427-78-7256
custsvc@rossasia.co.jp

ROSS UK Ltd.
United Kingdom
FAX 44-121-559-5309
sales@rossuk.co.uk

ROSS SOUTH AMERICA Ltda.
Brazil
TEL 55-11-4335-2200
vendas@ross-sulamerica.com.br

ROSS CONTROLS INDIA Pvt. Ltd.
India
FAX 91-44-2625-8730
sales@rosscontrolsindia.com