

# ACCESSORIES & OPTIONS

## ACCESSORIES AND OPTIONS

Throttle Screws .....	255
Pulsation Dampener .....	255
Pressure Snubber .....	255
Steel Needle Valve .....	256
Siphons .....	256
Chemiquip Valve Snubber .....	257
Chemiquip Limiting Valve .....	257
Diaphragm Seals .....	257
Electric Warning Contacts .....	258
Conversion Kit .....	258
4 1/2" Ring Wrench, Type A-1285 .....	259
6" Ring Wrench, Type A-1286 .....	259
Pointer Puller Screw/Pin 112A381-01 .....	259
Pointer Puller Body 292A133-01 .....	259
Pointer Staker 188A101-01 .....	259
Span Wrench 266A137-01 .....	259
2 1/2" Ring Wrench Old Design 266B135-01 .	259
3 1/2" Ring Wrench Old Design 266B134-01 .	259
2 1/2" / 3 1/2" Nest Old Design 266B136-01 ....	259
2 1/2" Ring Removal Current Design 101B221-02 .....	259
3 1/2" Ring Removal Current Design 101B221-01 .....	259
2 1/2" Nest Current Design 101B220-02 .....	259
3 1/2" Nest Current Design 101B220-01 .....	259
Cone Tool, Type A-1287 .....	260
Tool Kit, Type 1105T .....	260
Hand Jack Set, Type 3220 .....	260
Cocks, 1092 .....	260
Cocks, 1094 .....	260
Cocks, 1095 .....	260
Test Gauge Carrying Case 2005 .....	260
Options .....	261-262



### Throttling Devices

A throttling device should be used when a pressure gauge is subjected to rapid pressure fluctuations, which make the gauge difficult to read because of rapid pointer movement. Such a device reduces pressure impact, slows the speed and range of pointer movement, and prolongs gauge life.

Throttling effect is obtained by installing a restricting orifice between the gauge socket connection and the Bourdon tube. Severe service applications are characterized by the presence of significant levels of pressure pulsation and/or vibration. Gauges

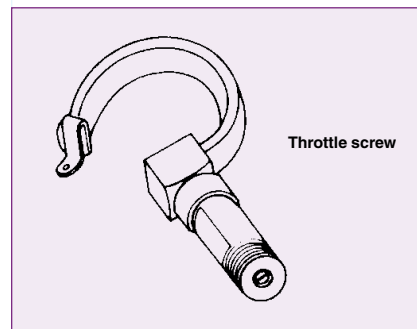
should be protected from severe pressure pulsation by the inclusion of a dampener such as a throttle plug/screw or porous metal snubber. If the pulsation is extreme, a liquid-filled gauge, with dampener, should be used. A liquid-filled gauge will also last significantly longer than a comparable dry gauge when vibration is present. If the vibration levels are extreme, the only solution may be to remotely mount the gauge away from the source of vibration. In that case capillary tubing may be used to connect the gauge to the pressure source.

### THROTTLE SCREWS

The simplest means of providing a restriction in the socket, a throttle screw, should be ordered with the gauge. Threaded or pressed into an instrument socket, the throttle screw orifice selected is based on the viscosity of the pressure fluid, rapidity of pressure fluctuations, and the amount of dampening effect desired.

A smaller orifice should be used for low viscosities, high frequencies, high

pressure and reduced pointer amplitude. To accommodate these variables, throttle screws are available in these sizes: 0.0135, 0.020, 0.031, 0.040, and 0.070 inches, in brass and stainless steel. When orifice size or service condition is not specified, a 0.020-inch orifice will be supplied on Duragauge® pressure gauges 0.0135, on 25-35 1009 and 63 and 100mm 1008S.



Throttle screw

### PULSATION DAMPENER

Threads onto a gauge socket and provides restriction by means of a moving pin, which may be placed in either of five different sized holes, and thus allows the user to vary the amount of dampening to suit requirements. The pulsating pressure moves the pin up and down, providing a self-cleaning action. Dampeners are shipped with a pin in the "middle" hole, and may be used in either a vertical or horizontal position. Maximum pressure is 5000 psi.

Type Number	NPT Conn.	Material	Weight (oz.)
25-1106B	¼	Brass	4
50-1106B	½	Brass	8
25-1106D	¼	Steel*	4
50-1106D	½	Steel*	8
25-1106S	¼	Stainless steel	4
50-1106S	½	Stainless steel	8

\* Internal parts are stainless steel.

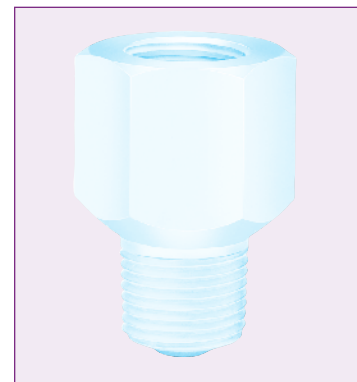


### PRESSURE SNUBBER

Type Number	NPT Conn.	Material		Max psi Rating
		Housing	Filter Disc	
25-1112B	¼	Brass	316	10,000
50-1112B	½		stainless steel	
25-1112S	¼	303 stainless steel	316	15,000
50-1112S	½		stainless steel	
25-1112M	¼	R Monel	Monel	15,000
50-1112M	½		Monel	

Porosity	Max Pore Cap. Opening (Inches)	CFH at 1 psi Diff. Press.	For use with
D	0.005	6.5	Oil (50 to 500 S.S.U.)
E	0.0025	3.0	Water & Light Oils (Under 50 S.S.U.)
G	0.0008	1.1	Air, Steam and Gases
HX	0.0006	0.4	Mercury Manometers

Used for dampening and filtering, the snubber has a metal disc available in four standard grades of porosity. The one best suited for the application can be selected from the chart, using the same guidelines as for throttle screws. Due to the large filter area, the snubber has less tendency to clog than orifice-type devices. All-metal construction permits the snubber to be washed in a variety of common solvents.

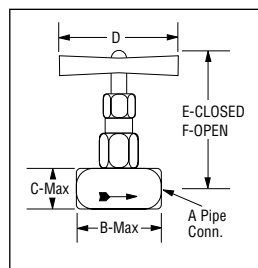


### STEEL NEEDLE VALVE

The steel needle valve is an economical, adjustable throttling device for any severe gauge application. It provides the most practical means for varying the orifice to determine the exact orifice for any specific service condition. The valve has an internal seat and is of bar stock construction.

Dimension – Inches						
A NPT Conn.	B	C	D – min.	E	F	Weight oz.
¼	2⅞	⅞	2½	3	3⅞	8
½	2¼	1¼	2½	3⅞	3⅞	21

NPT Conn.	Type Numbers Lock Bonnet Type Valves	Material	Pressure Ratings Noncorrosive Service (psi)			
			100°F	550°F	850°F	1000°F
¼	25-7001L	Carbon steel with 12-14% chrome	10,000	7735	—	—
½	50-7001L	Stainless steel stem				
¼	25-7004L	316 stainless steel	7000	4500	3895	3535
½	50-7004L					

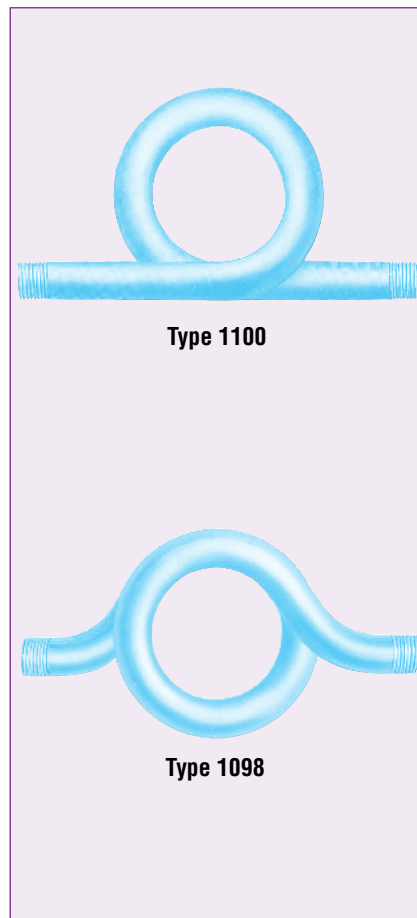


### SIPHONS

In order to prevent live steam from entering a pressure gauge Bourdon tube, a siphon filled with water should be installed between the gauge and the process line. If freezing of the condensate in the loop of a siphon is a possibility, a diaphragm seal should be used to isolate the gauge from the process steam. Also use siphons whenever

condensing hot vapors (not just steam) are present.

- Pig Tail Siphon—Number 1100 Series, ¼" sizes: to 500 psi and 400°F.
- Coil Pipe Siphon—Number 1098 Series, ¼", ½" sizes: to 9550 psi and 400°F.



Type 1100

Type 1098

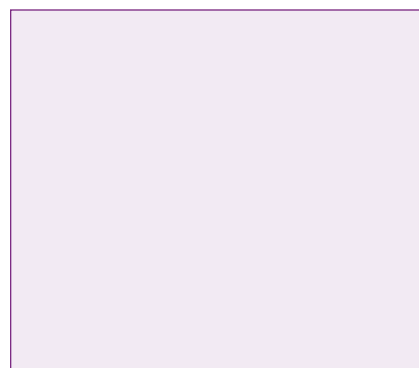
Type Number	NPT Conn.	Material	Capacity
25-1098 I	¼	Iron	500 psi @ 400°F
25-1098 B	¼	Brass	250 psi @ 400°F
25-1098 S	¼	ASTM A-106 seamless steel, Grade A	338 psi @ 1000° to 3360 psi from -20° to 400°F
50-1098 S	½	ASTM A-106 seamless steel, Grade A	333 psi @ 1000°F to 3000 psi from -20° to 400°F
50-1098 SD	½	ASTM A-106 seamless steel, Grade A	420 psi @ 1000°F to 3740 psi from -20° to 400°F
50-1098 CD	½	ASTM A-213 seamless steel, Grade T 22	1048 psi @ 1200°F to 9550 psi from -20° to 400°F
50-1098 NS	½	Seamless stainless steel, Type 316	294 psi @ 1500°F to 3981 psi from -20 to 100°F
50-1098 ND	½	Seamless stainless steel, Type 316	336 psi @ 1500°F 5840 psi from -20° to 100°F
25-1100 A	¼	Stainless steel	500 psi @ 400°F
25-1100 I	¼	Iron – 6⅞" Long	
25-1100 IL	¼	Iron – 8" Long	
25-1100 IN	¼	Iron – Angle	
25-1100 B	¼	Brass – 5⅞" Long	250 psi @ 400°F
25-1100 BL	¼	Brass – 8" Long	

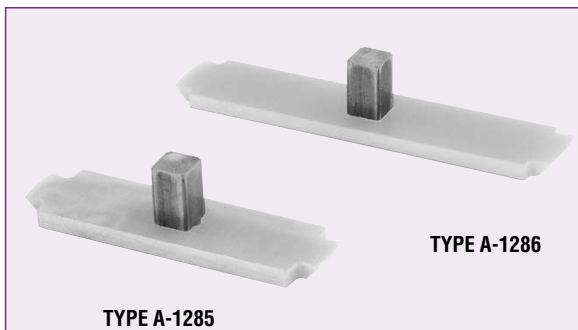
CHEMIQUIP PRESSURE LIMITING VALVE <sup>(4)</sup>				
Type Number	Conn.	Material	Available Ranges <sup>(1)</sup>	Style
25-5460	¼ NPTF	303 SS	100-800 psi	L
			800-2500 psi	M
50-5500	¼ NPTF	303 SS	2500-10,000 psi	N
			10,000-18,000 psi	O

(1) Use code XFS for factory setting.

Type of Service	Porosity Designations
High viscous fluids (over 500 S.S.U.)	C
Oil (225-500 S.S.U.)	D
Water and light oils (30-225 S.S.U.)	E
Vapor and low viscosity fluids (Below 30 S.S.U.)	F
Air or other gases	G
Extreme gas pulsations	HX

Protects pressure instruments against surges and pulsations. Provides automatic positive protection and accurate, repeatable performance. Automatic pressure shut-off. Built-in snubber enhances instrument, protecting performance.




**TYPE A-1285**
**Ring Wrench – 4½"**

(For installing front threaded rings in 4½" Duragauge)

**TYPE A-1286**
**Ring Wrench – 6"**

(For installing front threaded rings in 6" Duragauge)

**2½" & 3½" TYPE 1009 DURALIFE TOOLS**


**2½" Ring wrench**  
old design  
PN 266B135-01



**Pointer puller body**  
P/N 292A133-01



**Pointer staker**  
P/N 188A101-01



**3½" Nest** current design  
PN 101B220-01

**Pointer puller screw/pin**  
P/N 112A381-01

**3½" Ring removal**  
current design  
PN 101B221-01



**2½" Ring removal**  
current design  
PN 101B221-02



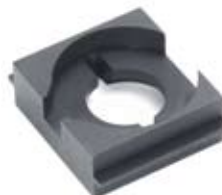
**2½" Nest** current design  
PN 101B220-02



**3½" Ring wrench**  
old design  
PN 266B134-01



**Span wrench**  
P/N 266A137-01



**2½" & 3½" Nest** old design  
PN 266B136-01

### ELECTRIC WARNING CONTACTS

The Ashcroft® 2265 electric contact is an ideal accessory to turn on a signal light, sound an alarm, or operate a pump or valve. The contacts can easily be set so that a circuit can be closed or opened at a desired pressure or temperature.

Settings can be easily made in the field without removing the instrument from service. Contact adjustment is made externally with a removable key to make the instrument virtually tamper proof.

The contact is designed for easy installation on Types 1279, 1377 and 1379 Duragauge pressure gauges (either stem or flush mounted), Type 1125 differential pressure gauges, or Type 600A Duratemp dial thermometers.

Contacts are equipped with adjustable magnets to eliminate chatter caused by vibration. A plug-in connector with five feet of electrical cable is standard.

Use with Ashcroft Model No.	Description	Availability			
		Code		Mounting	
		45	60	Stem	Flush
		4½"	6"		
		Dial	Dial		
1279	Duragauge	X	—	X	X <sup>(1)</sup>
1377	pressure	X	X	—	X
1379	gauge	X	X	X	X <sup>(1)</sup>
1125	D/P gauge	X	X	X	X
				Surface	Flush
600A-02	Duratemp	X	X	—	X
600A-03	remote	X	X	X	X
600A-04	thermometer	X	X	X	X

<sup>(1)</sup> Flush mounting requires type 1278 flush mounting ring.  
All specifications are subject to change without notice.

Model	Code	Contact arrangements
2265	XED	High and low contact
	XEE	Double high contact
	XEF	Double low contact
	XEG	"OFF" at low and high, and "ON" in between



Indicating accuracy of Ashcroft Duragauge, above 300 psi with contact: Pointer not carrying contact – 1.0%. Pointer carrying contact – 1.5%. For ranges below 30 psi, add an additional ½% to indicating accuracies.

### CONVERSION KIT

For field converting 4½" 1279(\*)S and 4½" and 6" 1379(\*)S Duragauge® gauges to a sealed case design suitable for either hermetic sealing or liquid filling. Kit includes (Typical A1280 kit shown):

- O-ring for front case seal.
- Acrylic window.
- Elastomeric diaphragm (Buna-N) for rear case seal.
- Glass filled polypropylene threaded ring for rear of case.
- 302 stainless steel rear cover and mounting screws.
- 303 stainless steel and Monel throttle screws.



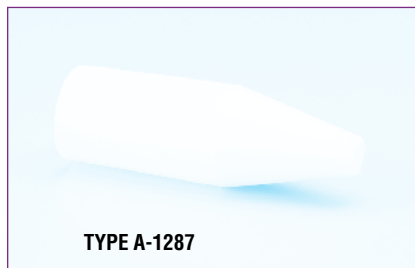
### HOW TO ORDER THIS CONVERSION KIT

FOR:

- 4½" 1279, lower connected – order part no. 101A202-01.
- 4½" 1279, back connected – order part no. 101A2023-01.
- 4½" 1379, lower connected – order type A1280 Kit.
- 4½" 1379, back connected – order type A1283 Kit.
- 6" 1379, lower & back connected – order type A1284 Kit.

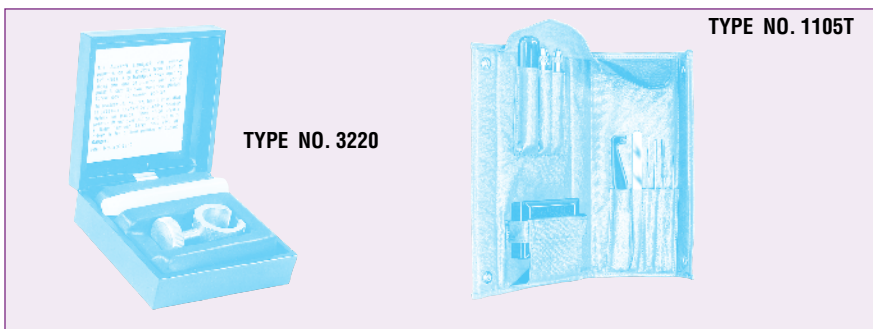
**TYPE A-1287**
**Cone Tool**

For installing diaphragm and garter spring on back connected liquid-filled or hermetic sealed Duragauge® gauges.


**TOOLS**

**Hand Jack Set** – gauge pointer remover and a pointer set to secure pointer to the shaft. Type No. 3220.

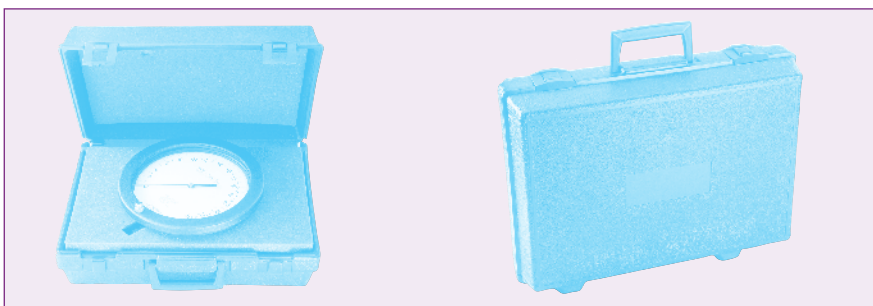
**Gauge Tool Kit** – A complete kit for gauge maintenance. Includes hand jack set, screw driver, five reamers, pin vise holder, wiggler and tweezers all packed in a neat carrying case. Ideal for a gauge maintenance shop. Type No. 1105T.


**COCKS**

- ¼" brass Tee Handle Cock No. 1092 – Wgt. 3 oz.
- ¼" brass Lever Handle Union Cock No. 1094 – Wgt. 10 oz.
- ¼" brass Lever Handle Cock No. 1095 – Wgt. 4 oz.
- All rated 100 psi air.


**TEST GAUGE CARRYING CASE**

This rugged blow-molded high-density polyethylene carrying case accommodates the standard 4½", 6 & 8½" Ashcroft Type 1082 analog test gauge. It accepts both lower and back connect gauges. A foam insert protects the gauge when not in use. Type No. 2505.



CODE	DESCRIPTION	PRESSURE GAUGE TYPE							
		DURAGAUGE GAUGES	1259	1009 (2" 1/2", 3" 1/2")	1009 (4" 1/2", 6")	1008S	TEST GAUGES	1010, 1017, 1220	1490/1495 SERIES
XLL	<b>PLUS!</b> <sup>®</sup> Performance	●		●	●	● <sup>(1)</sup>			
XBF	Wall mounting bracket				●				
XFW	Back flange			●					
XFF	Front flange			●	●	●			
XUC	U-clamp			●	●	●		●	●
XLJ	Dry liquid-fillable gauge	●	●	●	●	●			
XOS	Overload stop	●	●	STD	●	● <sup>(3)</sup>	STD	●	
XVS	Underload stop	●	●	STD	●	● <sup>(3)</sup>	STD	●	
XTS	Throttle screw	●	●		●		●	●	●
XTU	Throttle plug			●		●			●
XS4	Slotted link movement (decrease)	●			●			●	
XRJ	Slotted link (increase)	●			●			●	
XAP	Adjustable pointer				●			●	
XMP	Micrometer pointer	STD	STD	●	●			●	
XSH	Red set hand stationary	●		●	●			●	
XEO	Red set hand adjustable	●			●		●	●	●
XEP	Maximum pointer	●			●		●	●	
XEQ	Minimum pointer	●			●		●	●	
XPD	Plastic window	●	●	STD	●	STD <sup>(2)</sup>	●	●	STD
XSG	Safety glass	●	●	●	●		●	●	
XRG	Regular glass	STD	STD		STD		STD	STD	
XDA	Dial marking	●	●	●	●	●	●	●	●
XNN	Paper tag	●	●	●	●	●	●	●	●
XNH	Stainless steel tag	●	●	●	●	●	●	●	●
XAB	Absolute pressure	●			●				
XAJ	½% optional accuracy	STD	STD		●			●	
XAN	1% optional accuracy			STD	STD				●
XRA	Retard scale	●			●				
XBD	Black dial	●		●	●	●	●	●	●
X6B	Oxygen-cleaned gauges (gaseous)	●	●	●	●	●	●	●	
XTB	Tip bleed	●					●		
XED	High and low electric contacts	●							
XEE	Double high-electric contacts	●							
XEF	Double low-electric contacts	●							
XEG	Electric contacts off at low or high and in-between	●							
XGV	Silicone-filled gauge	●	●	●	●	●			
XGX	Halocarbon-filled gauge	●	●	●	●	●			
XCH	Carrying handle						●		
XC4	Calibration Chart	●		●	●	●	●	●	●

**NOTES:**

The options listed above are only a partial listing. For other options on these or other pressure instruments please call the factory for availability.

(1) Available on 63mm and 100mm.

(2) Available on 40mm and 50mm. Standard window material is glass for 40/50mm 1008S.

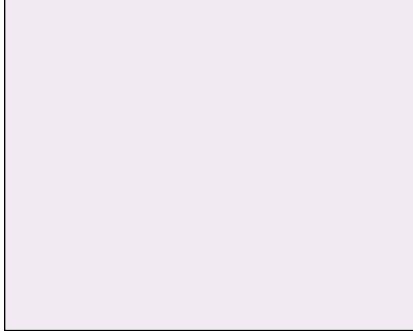
(3) Standard 63 & 100mm.

**STATIONARY RED SET HAND**



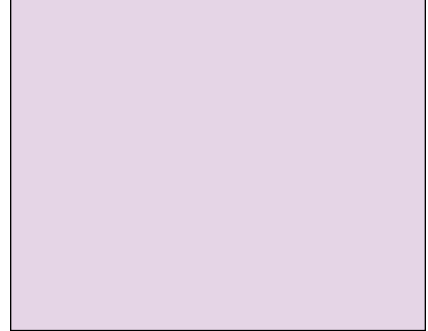
**Stationary Red Set Hand**  
to indicate a specific pressure. Ring must be removed to move the hand.

**OVERLOAD STOP**



**Overload Stop**  
to protect gauge system against extreme overpressure.

**SPECIAL DIAL**



**Special Dial**  
ranges different from standards, or custom artwork, available on application.

**MAXIMUM POINTER**

**Maximum Pointer**  
available for gauges 4½" size and larger. Indicates maximum pressure attained. Can be reset by a knob on outside of window.

**VACUUM STOP**



**Vacuum Stop**  
to protect low range gauges against vacuum.

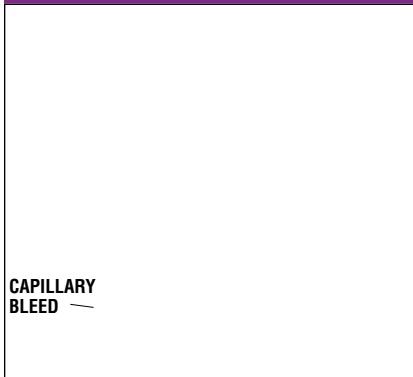
**Plastic Disc** – optional for glass window  
**Laminated Safety Glass** – optional for glass window  
**Nonglare Glass** – optional for glass window

**TIP BLEEDER**



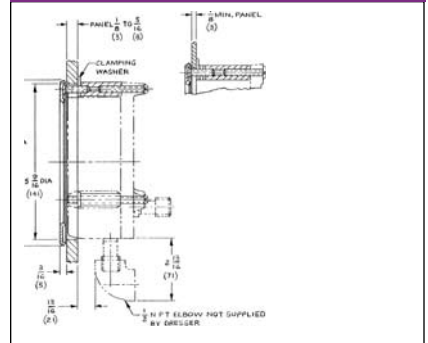
These bleeders allow trapped air to be removed from the Bourdon tube. They can also be used for back-flushing or cleaning the system. The tip bleed is available with 316 stainless steel systems. It is accessible by removing the pressure relief back. Tip bleeders are available to 23,000 psi. The capillary bleeder provides an external case connection to the internals

**CAPILLARY BLEEDER**



of the Bourdon tube. It may be used as a pressure testing tap for gauge inspection without removing the gauge from service. Capillary bleeders are available in bottom connected gauges only. The capillary bleeder is available in 300 Series stainless steel and limited to 4½" 1379(S)S case with 316 stainless steel system. Capillary bleeders are available to 1000 psi.

**TYPE 1278M FLUSH MOUNTING RING**



Gauge Size (inches)	Ring O.D. (inches)	A Dia. (inches)	"B"-Three Screws
			Size
4½	6.000	5.625	#10-24 x 1½"
6	7.765	7.25	¼-20 x 1½"

Used to flush-mount gauge types 1188, 1220, 1279 and 1379. Standard finish is black; polished stainless steel finish is available at an extra charge, 4½" and 6"